

AM系列限位开关盒



AM series limit switch box



材质

机体：压铸铝合金实体，镀镍
顶盖：阻燃与防紫外线聚酯碳酸酯
旋转轴：加固techno polymer复合材料
螺栓：不锈钢

MATERIALS

Body : die cast aluminium nickel plated
Cover : UV resistant and V0 polycarbonate
Shaft : reinforced techno polymer
Fasteners : stainless steel

额定参数

温度范围：标准范围为-15°C~+80°C
温度范围随开关的不同工作范围而变化
电气特性：取决于开关的具体类型

RATINGS

Temperature range: standard -15°C+80°C
Temp. range may vary due to switch range
Electrical: according to switch option

防护等级

IP65和Nema 4 及4X防护等级

WEATHER PROOF

IP65 and Nema4 and 4X weather proof enclosure.

SOLDO AM系列限位开关盒为旋转阀门/执行器的就地位置指示及远程电气位置指示提供紧凑的设计及最经济的解决方案。它集成了NAMUR安装支座，无需独立的安装支架，因此节约了相关成本。丰富的开关选项又使AM系列在IP65防护等级应用和本质安全应用中成为理想的限位开关盒。

可视指示器

AM开关盒标配带有一个扁平可视位置指示器，使用它可以查看阀门的实时位置，根据要求我们还可以提供带有3D位置指示的AM限位开关盒，以便从顶部与侧面查看阀门的实时位置。

一体化安装支架

AM机壳的一体化安装支架腿和驱动轴都符合Namur VDI/VDE3845国际尺寸标准，任何VDI/VDE3845执行器，都会找到适合AM系列开关盒的单一可调滑动支架。30x80和30x130两个顶面以及20mm，30mm，40mm和50mm齿轮高度就都可以适用于这个单一支架。同时AM系列还具有低成本（不需要开关或执行器耦合器）和高度互换性的特点。

抗震外壳

使用压铸铝合金机体，内部及外部均镀镍，使用阻燃与防紫外线聚酯碳酸酯顶盖，可适应恶劣的环境条件。同时外壳带有防脱螺丝。

接线盒

AM系列产品可为外部电磁阀额外配备接线排，并具有两个M20*1.5线缆接口（1/2"npt/f或PG13.5可供选择）。它的这一特性使其无需独立接线盒，也节约了相关人力需求，因此可以大幅削减成本。线缆接口的螺纹厚度达15mm，这样大幅度地降低了因为线缆或线缆接头过重而导致的壳体损坏。

高精度花键凸轮

易设定的凸轮通过花键式弹簧支撑，安装简单且可独立调节。该设计具有无工具校准和主动防震功能。

The SOLDO AM series limit switch box provides a compact design and the most economical solution for both visual and remote electrical indication of rotary valve/actuator position. Integral NAMUR mounting legs provide additional cost saving by eliminating the need for a separate mounting bracket. The switch options available make the AM series suitable for use in IP65 weather proof applications and also intrinsically safe applications.

VISUAL INDICATOR

AM switchboxes mounts as standard a flat visual position indicator in order to see real valve position; on request we can also supply the AM limit switch box complete of 3D position indicator in order to see the real valve position both looking from top and from side.

INTEGRAL MOUNTING BRACKET

AM housing incorporates integral mounting legs and drive shaft that conform to NAMUR VDI/VDE3845 international dimension standards. Using a single adjustable sliding bracket it is possible to fit AM switchboxes onto any VDI/VDE3845 actuator. Both 30x80 and 30x130 top pattern and 20mm, 30mm, 40mm and 50 mm pinion height can be matched with a single bracket. This maximizes interchangeability plus reduces cost by eliminating need for bracket and coupler.

SHOCK RESISTANT HOUSING

Die cast aluminium body and nickel plated inside and outside and V0 and VU resistant polycarbonate cover, make this unit ideal for use in hostile environments. Housing has captive screws

JUNCTION BOX

AM series can be provide with extra terminal strip to accomodate external solenoid valve and has two M20x1.5 (1/2"npt f as option) cable entries. This feature provides a significant cost saving by eliminating the need for a separate junction box and associated labour. Cable entries has a 15 mm thread thickness, this feature prevents housing damage due to very heavy cables or cable glands.

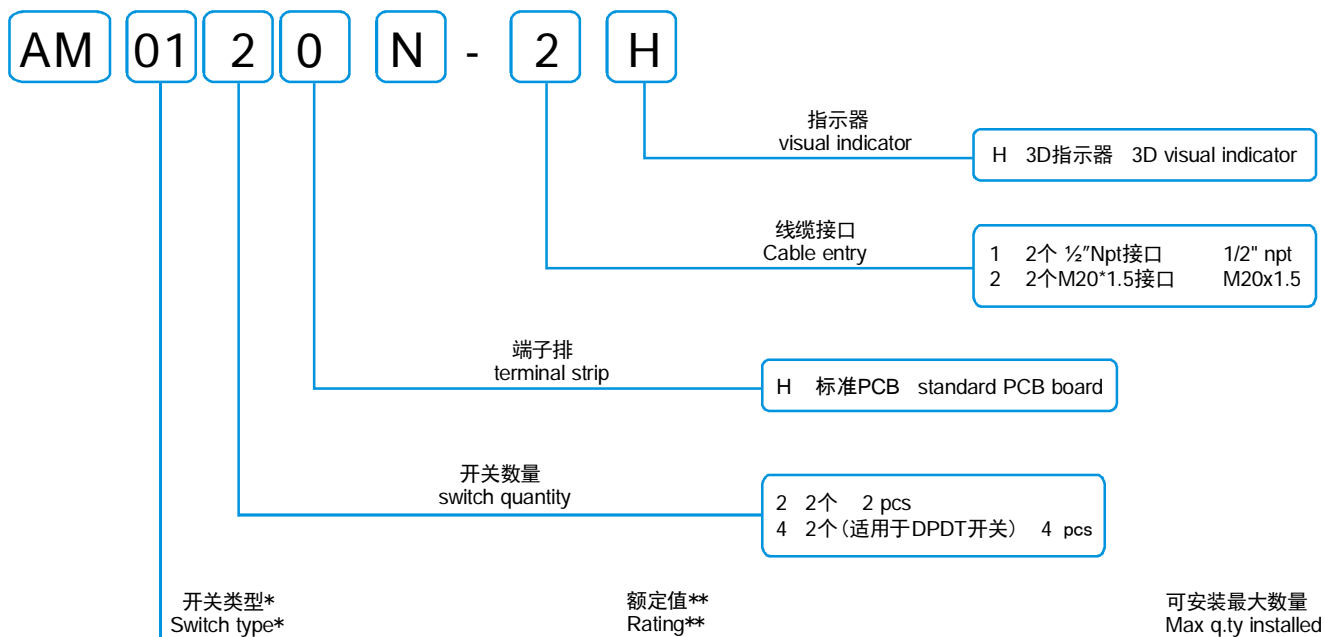
HIGH RESOLUTION SPLINED CAMS

Easy-set cams are splined and independently adjustable. This design offers tool free calibration and positive vibration resistant engagement.

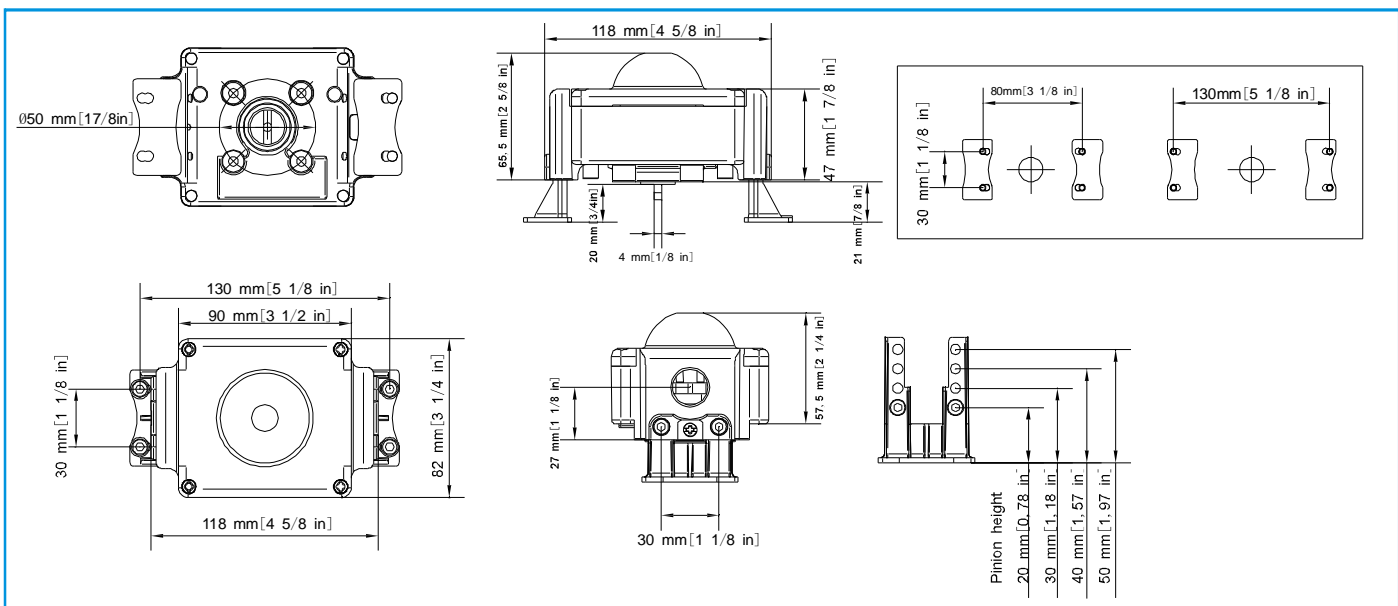
AM系列限位开关盒



AM series limit switch box



开关类型* Switch type*	额定值** Rating**	可安装最大数量 Max q.ty installed
00 机械式SPDT镀银触点 electromech SPDT silver plated contacts	最大5A@250VAC-3A@24VDC最小50mA@250VAC-50mA@24VDC max 5A@250VAC - 3A@24VDC min 50mA@250VAC - 50mA@24VDC	2 2
01 机械式DPDT镀银触点 electromech DPDT silver plated contacts	最大5A@250VAC-3A@24VDC最小50mA@250VAC-50mA@24VDC max 5A@250VAC - 3A@24VDC min 50mA@250VAC - 50mA@24VDC	2 2
73 接近式PNP NO P+F NBB2 V3 E2 proximity PNP NO P+F NBB2 V3 E2	3线制放大,10-30VDC,100mA 3 wire amplified, 10-30VDC, 100mA	2 2
75 接近式NO/NC可编程IFM IS5026 proximity NO / NC programmable IFM Is5026	2线制放大,5-36VDC,200mA 2 wire amplified, 5-36VDC, 200mA	2 2
83 接近式NO P+F NBB3 V3 Z4 proximity NO P+F NBB3 V3 Z4	2线制放大,5-60VDC,100mA 2 wire amplified. 5-60VDC, 100mA	2 2



型号	开关类型	额定值	线缆接口	¥
AM014A0-2H	机械式 2*DPDT	最大5A@250VAC-3A@24VDC最小50MA@250VAC-50MA@24VDC	2个M20*1.5	750

SP系列限位开关盒



SP series limit switch box



材质

机体： 阻燃聚酯碳酸酯
盒盖： 防紫外线和阻燃聚酯碳酸酯
旋转轴： 加固techno polymer复合材料
螺栓： 不锈钢

MATERIALS

Body : V0 reinforced Polyphenil Ether
Cover : UV resistant and V0 polycarbonate
Shaft : reinforced techno polymer
Fasteners : stainless steel

额定参数

温度范围： 标准-15°C~+80°C
温度范围随开关的不同工作范围而变化
电气特性： 取决于开关的具体类型

RATINGS

Temperature range: standard -15°C~+80°C
Temp. range may vary due to switch range
Electrical: according to switch option

防护等级

IP65和Nema 4 及4X防护等级

WEATHER PROOF

IP65 and Nema4 and 4X weather proof enclosure.

SOLDO Sp系列限位开关盒拥有紧凑型设计，和低成本旋转阀（执行器）可视电子遥控位置指示器。由于不需要单独安装支架，所以集合NAMUR支架腿又可节省额外的成本。可选开关使SP系列适用于IP65防水应用和本质安全应用设备。

紧凑设计

为了减少总体尺寸，SP系列开关盒被设计为紧凑型开关盒，从执行器齿轮轴开始测量，总高度为76MM，因此SP系列是所有小尺寸执行器（包括最小尺寸执行器）的最佳选择。

一体化安装支架

SP机壳的一体化安装支架腿和驱动轴都符合Namur VDI/VDE3845国际尺寸标准，任何VDI/VDE3845执行器，都会可能找到适合SP系列开关盒的单一可调滑动支架。30x80和30x130两个顶面以及20mm，30mm，40mm和50mm齿轮高度就都可以适用于这个单一支架。同时SP系列还具有低成本（不需要开关或执行器耦合器）和高度互换性的特点。

防腐蚀

SP开关盒是由高技术强化物制成的，防紫外线和阻燃聚碳酸酯外壳，且经VO强化的PPE机身使它可耐高机械强度。树脂结构又使这个单元成为恶劣环境下的理想选择。同时机壳配有防脱落的外盖螺丝。

高厚度线缆接口

SP开关盒提供两个M20*1.5线缆接口（1/2"npt/f或PG13.5可供选择）。SP线缆接口有一个15MM（1/2"）厚的螺纹。这一特点可防止因为线缆或线缆接头过重而导致的壳体损坏。

高精度花键凸轮

易设定的凸轮通过花键式弹簧支撑安装及可独立调节，这种设计具有免工具校准功能和主动防震功能。

The SOLDO SP series limit switch box provides a compact design and the most economical solution for both visual and remote electrical indication of rotary valve/actuator position. Integral NAMUR mounting legs provide additional cost saving by eliminating the need for a separate mounting bracket. The switch options available make the SP series suitable for use in IP65 weather proof applications and also intrinsically safe applications.

COMPACT DESIGN

SP switchboxes have been engineered in order to reduce overall dimensions. Total height from actuator pinion is 76 mm with a standard SP unit. It is ideal for use on all size actuators including very small units.

INTEGRAL MOUNTING BRACKET

SP housing incorporates integral mounting legs and drive shaft that conform to NAMUR VDI/VDE3845 international dimension standards. Using a single adjustable sliding bracket it is possible to fit SP switchboxes onto any VDI/VDE3845 actuator. Both 30x80 and 30x130 top pattern and 20mm, 30mm, 40mm and 50 mm pinion height can be matched with a single bracket. This maximizes interchangeability plus reduces cost by eliminating need for bracket and coupler.

CORROSION RESISTANT

SP switchboxes are made of high tech reinforced polymers. UV resistant and V0 polycarbonate cover and V0 reinforced PPE body provide a very high mechanical resistance. The resin construction makes this unit ideal for use in hostile environments. The housing also incorporates captive cover screws.

HIGH THICKNESS CABLE ENTRY

SP switch box is provided with a M20x1.5 (1/2"npt/f or PG 13.5 option) thickness thread. This feature prevent housing damage due to very heavy cables or cable glands. No back nut are required to fit cable glands.

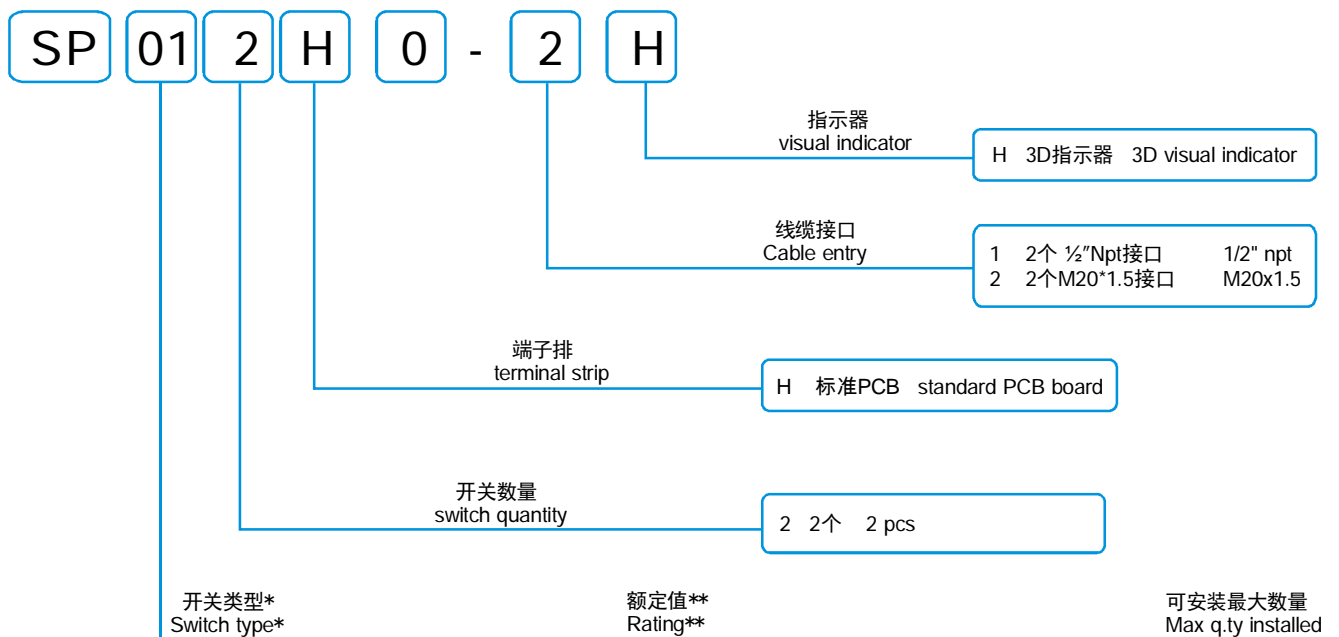
HIGH RESOLUTION SPLINED CAMS

Easy-set cams are splined and independently adjustable. This design offers tool free calibration and positive vibration resistant engagement.

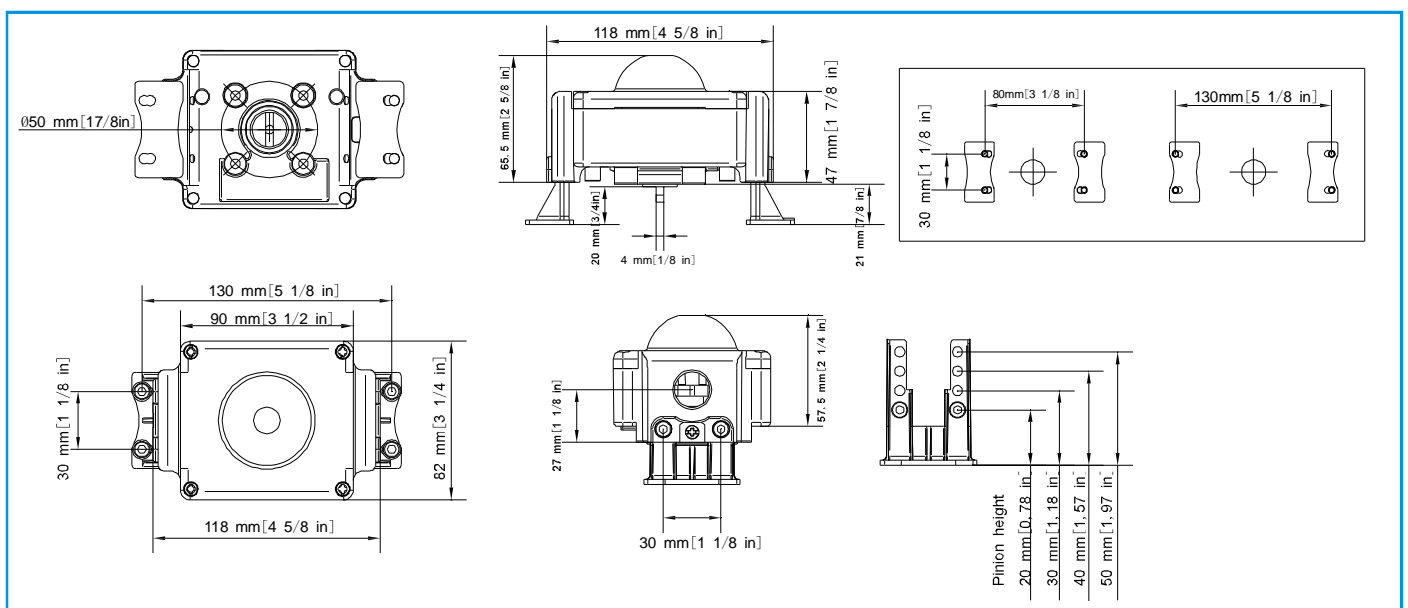
SP系列限位开关盒



SP series limit switch box



开关类型* Switch type*	额定值** Rating**	可安装最大数量 Max q.ty installed
01 机械式SPDT镀银触点 electromech SPDT silver plated contacts	最大5A@250VAC-3A@24VDC最小50mA@250VAC-50mA@24VDC max 5A@250VAC - 3A@24VDC min 50mA@250VAC - 50mA@24VDC	2 2
03 机械式SPDT镀金触点 electromech SPDT gold plated contacts	最大3A@250VAC-1A@24VDC最小5mA@250VAC-1mA@24VDC max 3A@250VAC - 1A@24VDC min 5mA@250VAC - 1mA@24VDC	2 2
73 接近式PNP NO P+F NBB2 V3 E2 proximity PNP NO P+F NBB2 V3 E2	3线制放大,10-30VDC,100mA 3 wire amplified, 10-30VDC, 100mA	2 2
75 接近式NO/NC可编程IFM IS5026 proximity NO / NC programmable IFM Is5026	2线制放大,5-36VDC,200mA 2 wire amplified, 5-36VDC, 200mA	2 2
83 接近式NO P+F NBB3 V3 Z4 proximity NO P+F NBB3 V3 Z4	2线制放大,5-60VDC,100mA 2 wire amplified. 5-60VDC, 100mA	2 2



型号	开关类型	额定值	线缆接口	¥
SP012H0-1ZW00R1	机械式 2*SPDT	最大5A@250VAC-3A@24VDC最小50mA@250VAC-50mA@24VDC	2个1/2"NPT	550

SX系列限位开关盒



SX series limit switch box



材质

机体及盒盖：压铸铝，涂附树脂粉末
指示器圆顶：抗紫外线及阻燃聚酯碳酸酯
旋转轴：不锈钢
螺栓：不锈钢

额定参数

环境温度范围：-25°C~+60°C (T6)
-25°C~+80°C (T5)
-25°C~+105°C (T4)

根据要求可提供-40°C低温型
温度范围会随开关的不同工作范围而变化
电气特性：取决于开关的具体类型

MATERIALS

Body and cover : die cromated and polyester powder coated aluminium
Indicator dome : UV resistant and V0 polycarbonate
Shaft : stainless steel
Fasteners : stainless steel

RATINGS

Ambient temperature range : -25°C~+60°C
-25°C~+80°C
-25°C~+105°C
Temp. range may vary due to switch range.
Electrical: according to switch option

SOLDO SX系列限位开关盒为旋转阀门/执行器的就地位置指示及远程电气指示提供了紧凑而经济的设计。厚重的外壳使它可在危险区域使用。丰富的开关选项使SX系列成为适用于EExd IIB应用的理想多用途限位开关。

防爆及防护等级

SX系列具有IP67防护等级。

SX系列产品通过ATEX防爆认证 II 2G/D Exd IIB T4/T5/T6 ExtD B21 T135°C/100°C/85°C, 证书编号：ITS09 ATEX 16281X。

SX系列产品通过IEC Ex防爆认证 Exd IIB T4/T5/T6Gb ExtD B21 135°C/100°C/85°C, 证书编号：IECEXITS 09 0020X。

铝质外壳

外部涂附聚酯粉末，内部为压铸铝和不锈钢轴，使SX系列成为恶劣环境下的理想应用装置。盒盖使用了防脱螺丝，在进行校验时可以避免螺丝丢失。

大尺寸3D位置指示器

SX系列产品标配带有双色3D位置指示器，方便从阀门的顶部或侧面观测阀门的真实位置。指示器安装在使用花键连接的固定架上，因此可以进行精细而便利的调节。

接线盒

SX系列产品为连接外部电磁阀额外配备接线排，且有3个线缆接口：两个1/2"npt/f (M20*1.5可选)和一个3/4 npt/f(M25x1.5可选)。它的这一特性使其无需独立接线盒，也节约了相关人力需求，因此可以大幅削减成本。端子排有多种特性可供选择：蓝色或绿色，箱夹防震固定或螺丝固定。

高精度花键凸轮

易设定的凸轮通过花键式弹簧支撑，安装简单且可独立调节。该设计具有免工具校准和主动防震功能。

开关选项

SX系列产品可配备不同类型的开关，它们包括：单刀双掷SPDT或双刀双掷DPDT机械式镀银或镀金触点开关；圆柱式、V3或插槽式感应接近式开关（均为感应式Namur两线制、NPN或PNP开关），SPDT或DPDT使用惰性气体密封的磁感应开关；它还可配备AS-I数字通讯接口卡，三位置球形控制、2线式4-20mA电流位置传感器。

国际标准化的连接尺寸

外壳符合VDI/VDE 3845国际尺寸标准、输出轴尺寸标准以及ISO F05螺栓孔位置标准。使用这种安装方式可以使部件的互换性最大化，由于开关/执行器无需耦合器，这也大大削减了成本。对于气动执行器（标准或非标准）或杠杆操作阀上，都可以提供SX产品安装使用的全系列不锈钢安装套件。

不锈钢双轴设计

SX系列产品采用了双轴设计，其中的一个轴密封在机体内，另一个密封在盖子内。这样盖子的移除简单快捷，无需每次移除盖子时对指示器进行调节。

The SOLDO SX series hazardous location limit switch provides a compact design and low cost for both visual and remote electrical indication of rotary valve/actuator position. The heavy duty design and wide variety of options make the SX series the ideal multipurpose limit switch for use in EEx d IIB applications. SOLDO has the flexibility and know how to offer an effective support whenever specific needs require the development of customised solutions.

EXPLOSION PROOF AND WEATHER PROOF

SX series are ATEX explosion proof II2D/G EEx d IIB T4/T5/T6 and water proof IP67. Optional EEx d IIB + H2 or Nema4, 4X, 7&9 available on request.

ALUMINIUM HOUSING

The external polyester powder coating and internal die cromating plus stainless steel shaft, make this unit ideal for use in hostile environments. Housings include captive cover screws to permit calibration without potential for losing screws.

HIGH SIZE 3D POSITION INDICATOR

SX series mounts as standard a large two-colours 3D position indicator; it is easy to see real valve position both looking from top and from side of the valve. Indicator is mounted on a splined retainer in order to be finely and easily adjusted.

JUNCTION BOX

SX series can be provided with extra terminal strip to accommodate external solenoid valve and has three cable entries: two 1/2"npt/f (M20x1.5 as option) + one 3/4"npt/f (M25x1.5 as option) This feature provides a significant cost saving by eliminating the need for a separate junction box and associated labour. Several terminal strip option are available: blue or green colour, cage clamp anti vibration or screw type.

HIGH RESOLUTION SPLINED CAMS

Easy-set cams are splined spring loaded and independently adjustable. This design offers tool free calibration and positive vibration resistant engagement.

SWITCH OPTIONS

SX series can be provided with different types of switches: SPDT or DPDT electromechanical silver plated or gold plated contacts; cylindrical, V3 or slot type inductive proximity (all inductive Namur 2 wire or NPN or PNP); SPDT or DPDT magnetic proximity inert gas sealed. AS-I digital communication interface card, 3 position dribble control, 2 wire 4-20mA current position transmitter.

