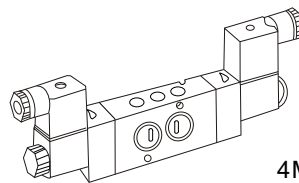


4M310系列



4M320系列



材质	阀体：铝合金 密封：NBR	
有效截面积	25mm <sup>2</sup> (CV=1.4)	30mm <sup>2</sup> (CV=1.68)
接管口径	进气=出气=排气=G1/4"	进气=出气=G3/8" 排气=G1/4"
工作介质	经40微米过滤的空气	
动作方式	内部先导式	
使用压力	0.15-0.8Mpa	
最大耐压力	1.2Mpa	
工作温度	5-50°C	
电压范围	±10%	
耗电量	AC: 5.5VA DC: 4.8W	
绝缘性及防护等级	F级别 IP65	
接线形式	出线式或端子式	
最高动作频率	每秒五次	
最短磁时间	0.05秒	

### 选型表

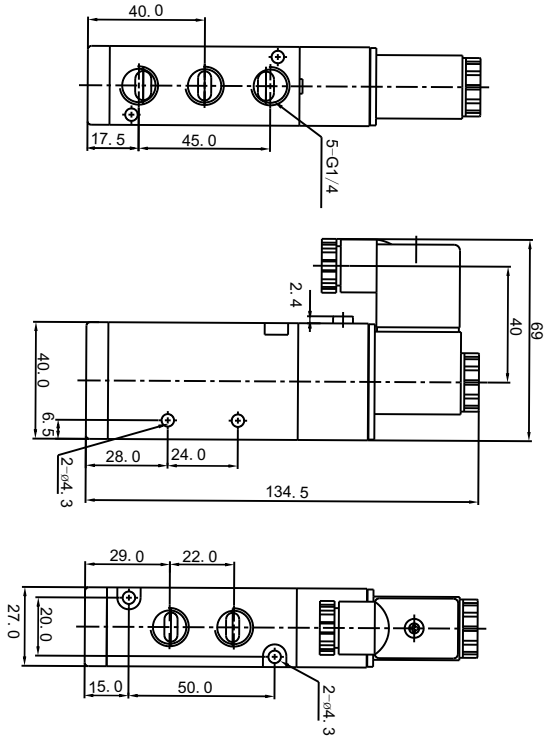
<b>4M</b>	<b>3</b>	<b>10</b>	-	<b>08</b>	<b>B</b>	-	<b>AC220V</b>	-	<b>EX</b>
规格代码	系列代码 300系列	线圈及位数 10:单头双位置 20:双头双位置		接管口径 08:1/4" 10:3/8"	接管形式及初始状态 空白:管接式 B:二位五通板接式		标准电压 DC24V AC110V 50HZ/60HZ AC220V 50HZ/60HZ AC380V 50HZ/60HZ		空白:普通 EX:防爆

注：如需其它电压请详询。

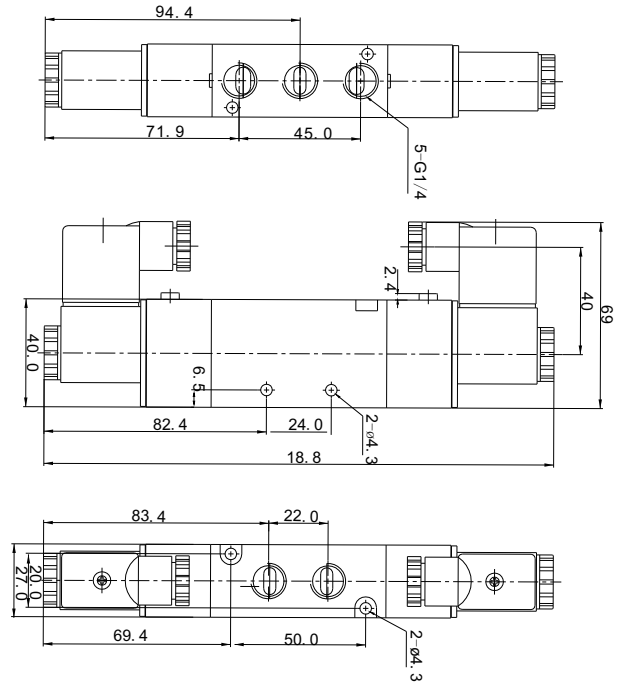
## 外形尺寸



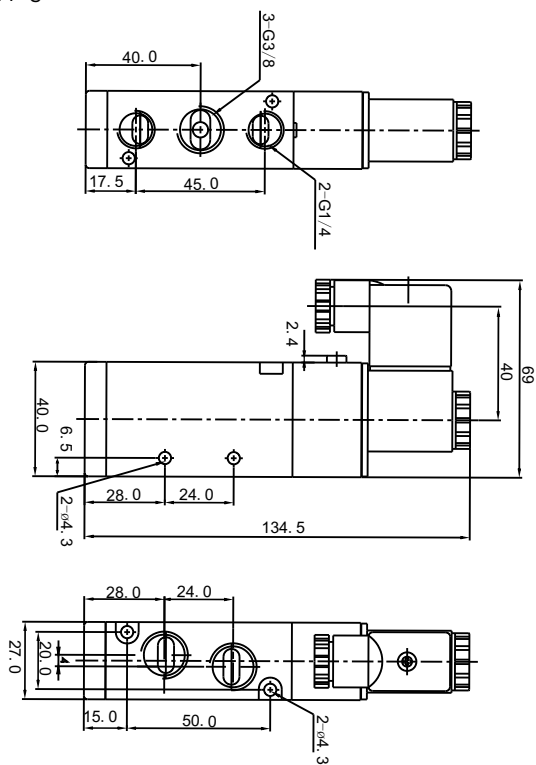
**TYPE:4M310-08**



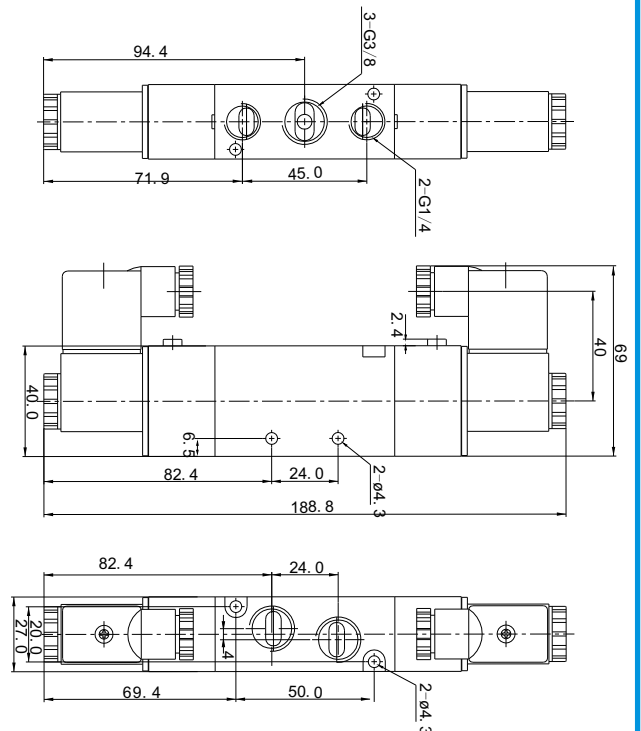
**TYPE:4M320-08**



**TYPE:4M310-10**



**TYPE:4M320-10**



**EVI 7线圈 S9 先导阀**

**COIL**

The coil is available in different sizes and with different electrical terminations. Types, power and other characteristics are described in the following pages.


All coils feature:

- heat resistant bobbin moulded with 30% glass filled thermoplastic polyester material
- class H wire 200°C according to IEC 317-8
- built-in magnetic yoke made by low carbon iron
- encapsulation with high quality specially designed glass filled nylon.

The use of other materials is possible upon special agreements. All coils are rated to class F and to IP 65 (with connector). The coil is designed and constructed in accordance to EN 60204.1 and VDE 0580 and it is suitable for industrial ambient conditions. For use in special ambients with high humidity, please, take contact with Amisco.



- 高耐热PBT骨架
- H级漆包线
- 低碳钢导磁金属骨架
- 特殊尼龙及填充 玻璃纤维封装
- 所有线圈符合F级耐热 及IP65保护等级 (带接线盒)
- 线圈符合CE标准
- 可提供引线, DIN43650, AMP三种电气接头

Electrical termination 电气端子	Code 型号	Characteristics (参数)							
		DC		AC 50 Hz		AC 60 Hz			
 Terminals AMP 6.3x0.8 width 11 mm (端子AMP6.3X0.8) Terminals DIN 43650 B (端子DIN43650B) Flying leads (引线)	0709S...	Rated power DC (标称功率 直流)	W	3	6.5				
	0709D...	Inrush power AC (标称功率 交流)	VA			7.5	12.5	6.5	10.5
	0709C...	Rated power AC (标称功率 交流)	VA			5	8.5	4.2	7
		Coil temperature rise (线圈温升)	°C	35	70	45	85	35	70
		Copper temperature rise (铜线温升)	°C	40	80	55	95	45	80

Notes: (注意)

Voltage tolerance: (电压范围) ± 10%

Temperature range: (环境温度) -20°C ÷ +50°C

Duty cycle: (工作时间) 100%

Standard voltages:  
(标称电压)

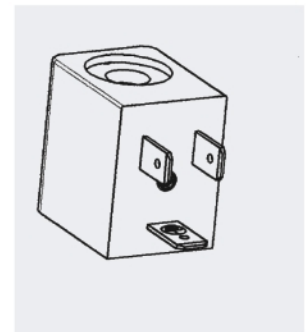
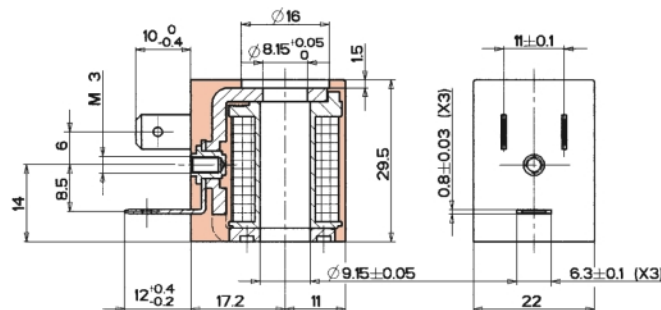
24 - 110 - 230 VAC

12 - 24 VDC

Other voltages on request  
(其它电压请垂询)

For different orifice sizes and pressures contact AMISCO

**EVI 7/9**



CODE 0709S.....