



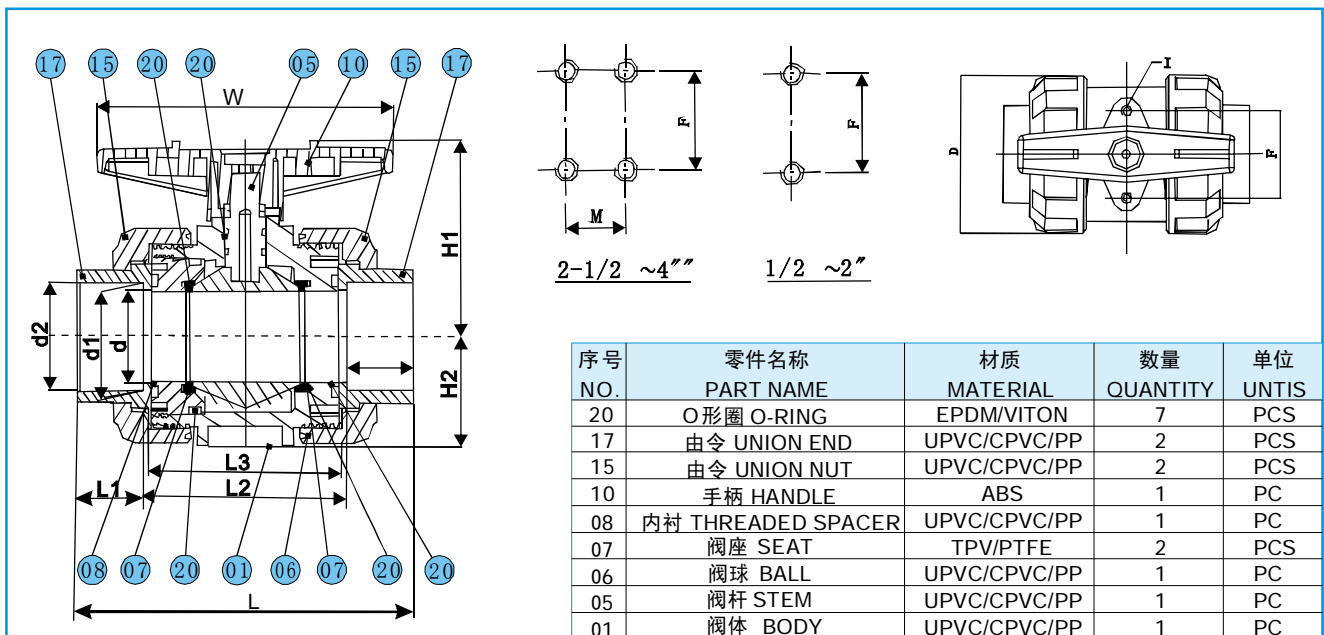
两通, PN10, 双由令活接,
Two ways, PN10, union socket ball valve

产品特性 SPECIFICATIONS

★工作压力:PN10
Working Pressure :PN10

★温度范围:15℃ ~+55℃
Temperature Range:15℃ ~+55℃

★适用介质:水、油、气及某些腐蚀性液体
Suitable medium:water,oil,air and some corrosive liquid

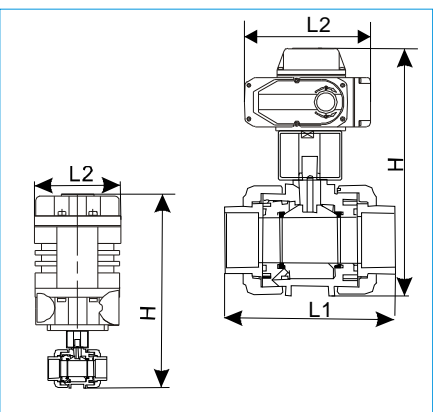
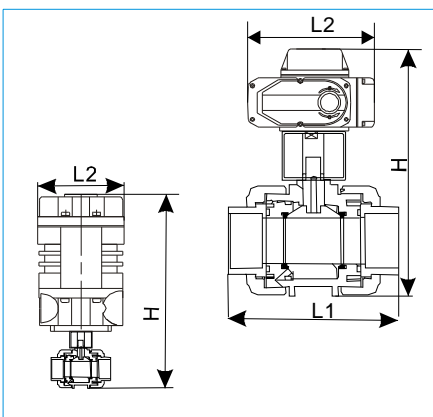


Unit: mm

口径 Size	d	d1				d2			
		d1	DIN	JIS	CNS	ANSI	DIN	JIS	CNS
1/2"(15)	15	21.54	20.30	22.30	22.40	21.23	20.10	21.70	21.90
3/4"(20)	20	26.87	25.30	26.30	26.40	26.57	25.10	25.70	25.90
1"(25)	25	33.65	32.30	32.33	34.50	33.27	32.10	31.67	33.90
1-1/4"(32)	32	42.42	40.30	38.43	42.50	42.04	40.10	37.57	41.90
1-1/2"(40)	40	48.56	50.30	48.46	48.60	48.11	50.10	47.54	47.90
2"(50)	50	60.63	63.30	60.58	60.60	60.17	63.10	59.44	59.90
2-1/2"(65)	65	73.38	75.30	76.60	76.70	72.85	75.10	75.87	75.90
3"(80)	75	89.31	90.40	89.60	89.70	88.70	90.10	88.83	88.90
4"(100)	100	114.76	110.40	114.70	115.00	114.10	110.10	113.98	113.80

Unit: mm

口径 Size	D	L		L1		DIN	L2	L3	W	H1	H2	F	M	I	Operating Torque (Nm)
		ANSI	DIN	ANSI	DIN										
		/JIS	/CNS	/JIS	/CNS										
1/2"(15)	54	104.8	92	22.3	16	60	52	84	52.5	27.5	31	—	M6	2	
3/4"(20)	63	113	100	25.5	19	62	54	90	59	32	33	—	M6	2.5	
1"(25)	73.5	127.2	114	28.6	22	70	62	106	67.5	37.25	40	—	M6	4	
1-1/4"(32)	84.5	142	130	32	26	78	70	116	77.5	42.75	52	—	M6	5	
1-1/2"(40)	98	157.5	151	35	32	87.5	79.5	128	90	50	52	—	M6	7.5	
2"(50)	118	171	171	38	—	95	85	140	106	60	70	—	M6	8.5	
2-1/2"(65)	150	238.5	238.5	47	—	144.5	132.5	210	136.5	78.5	84	45	M10	13	
3"(80)	169	268	268	51	—	166	150	235	149.5	86	84	45	M10	16	
4"(100)	211	318	318	61	—	196	172	260	175	107	121	49	M12	25	



阀体/Body: U-PVC (可选/Optional: PP)

阀座/Seat: PTFE

连接/Connection: 由令活接/Union socket (GB, ANSI, DIN, JIS)
(可选/Optional: 螺纹/Thread、法兰/Flange)

配 **ADESUN** 电动执行器/with **ADESUN** electrical actuator

电压/Voltage: 220VAC、24VDC、380VAC (可选/Optional: 110VAC)

在由令端有EPDM "O"环, 配合PTFE垫座之使用, 能防止多数化学物质之腐蚀/ Use EPDM "O" ring By the end of True Union and the PTFE gasket seat can prevent Most of the chemical corrosion

Art: 334E*G - ******
口径 特别代码

开关型/On-off-model

型号 CODE	334E015G -HABS	334E020G -HABS	334E025G -HABS	334E032G -HABS	334E040G -HABS	334E050G -HABS	334E065G -HBAS	334E080G -HBAS	334E100G -HBAS
DN	15	20	25	32	40	50	65	80	100
PN	10	10	10	10	10	10	10	10	10
H (mm)	197	208	221.75	237.25	257	283	369	391	445
L1 (mm)	92	100	114	130	151	171	238.5	268	318
L2 (mm)	72	72	72	72	72	72	160	160	160
参考重量(KG)	1.7	1.73	1.85	2.1	2.45	3.1	4.45	5.95	8.35
有源触点/ Active contact / 220VAC									
¥									
无源触点/ Dry contact / 220VAC									
型号 CODE	334E015G -HABS	334E020G -HABS	334E025G -HABS	334E032G -HABS	334E040G -HABS	334E050G -HABS	334E065G -HBBS	334E080G -HBBS	334E100G -HBBS
¥									
24VDC									
型号 CODE	334E015G -HAGS	334E020G -HAGS	334E025G -HAGS	334E032G -HAGS	334E040G -HAGS	334E050G -HAGS	334E065G -HBGS	334E080G -HBGS	334E100G -HBGS
¥									
380VAC									
型号 CODE	334E015G -HBHS	334E020G -HBHS	334E025G -HBHS	334E032G -HBHS	334E040G -HBHS	334E050G -HBHS	334E065G -HBHS	334E080G -HBHS	334E100G -HBHS
ACT	AEA-05H	AEA-05H	AEA-05H	AEA-05H	AEA-05H	AEA-05H	AEA-05H	AEA-05H	AEA-05H
H (mm)	223	234	248	263	283	309	369	391	445
L1 (mm)	92	100	114	130	151	171	238.5	268	318
L2 (mm)	160	160	160	160	160	160	160	160	160
参考重量(KG)	2.5	2.53	2.65	2.9	3.25	3.9	4.45	5.95	8.35
¥									

阀体/Body: U-PVC (可选/Optional: PP)

阀座/Seat: PTFE

连接/Connection: 由令活接/Union socket (GB, ANSI, DIN, JIS)
(可选/Optional: 螺纹/Thread、法兰/Flange)

配 **ADESUN** 电动执行器/with **ADESUN** electrical actuator

电压/Voltage: 220VAC (可选/Optional: 110VAC)

在由令端有EPDM "O"环, 配合PTFE垫座之使用, 能防止多数化学物质之腐蚀/ Use EPDM "O" ring By the end of True Union and the PTFE gasket seat can prevent Most of the chemical corrosion

带4-20mA输入/输出信号/with 4-20mA input/output signal

(可选/Optional: 1-5VDC输入信号/1-5VDC input signal)

Art: 334M*G - ******
口径 特别代码

调节型/Modulating model

型号 CODE	334M015G -HAES	334M020G -HAES	334M025G -HAES	334M032G -HAES	334M040G -HAES	334M050G -HAES	334M065G -HBES	334M080G -HBES	334M100G -HBES
DN	15	20	25	32	40	50	65	80	100
PN	10	10	10	10	10	10	10	10	10
ACT	AEA-02E	AEA-02E	AEA-02E	AEA-02E	AEA-02E	AEA-02E	AEA-05E	AEA-05E	AEA-05E
H (mm)	223	234	248	263	283	309	369	391	445
L1 (mm)	92	100	114	130	151	171	238.5	268	318
L2 (mm)	72	72	72	72	72	72	160	160	160
参考重量(KG)	1.7	1.73	1.85	2.1	2.45	3.1	4.45	5.95	8.35
¥									