



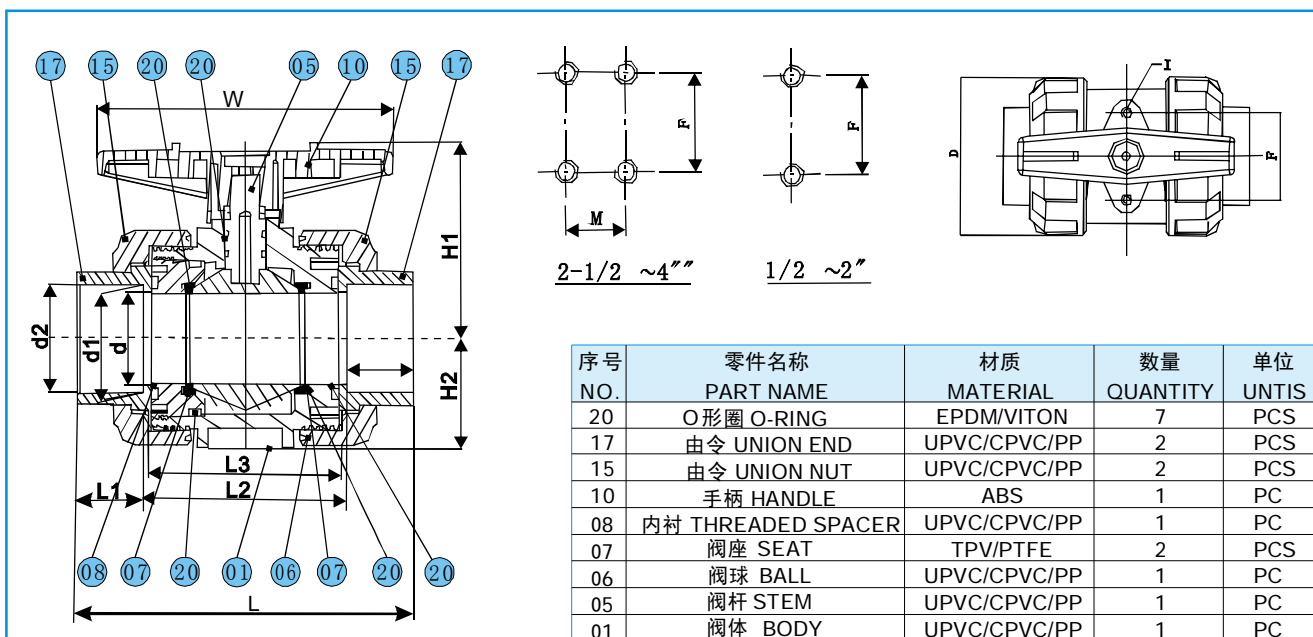
两通, PN10, 双由令活接,
Two ways, PN10, union socket ball valve

产品特性 SPECIFICATIONS

★工作压力: PN10
Working Pressure :PN10

★温度范围: 15℃ ~+55℃
Temperature Range:15℃ ~+55℃

★适用介质: 水、油、气及某些腐蚀性液体
Suitable medium: water,oil,air and some corrosive liquid



Unit: mm

口径 Size	d	d1				d2			
		d1	DIN	JIS	CNS	ANSI	DIN	JIS	CNS
1/2"(15)	15	21.54	20.30	22.30	22.40	21.23	20.10	21.70	21.90
3/4"(20)	20	26.87	25.30	26.30	26.40	26.57	25.10	25.70	25.90
1"(25)	25	33.65	32.30	32.33	34.50	33.27	32.10	31.67	33.90
1-1/4"(32)	32	42.42	40.30	38.43	42.50	42.04	40.10	37.57	41.90
1-1/2"(40)	40	48.56	50.30	48.46	48.60	48.11	50.10	47.54	47.90
2"(50)	50	60.63	63.30	60.58	60.60	60.17	63.10	59.44	59.90
2-1/2"(65)	65	73.38	75.30	76.60	76.70	72.85	75.10	75.87	75.90
3"(80)	75	89.31	90.40	89.60	89.70	88.70	90.10	88.83	88.90
4"(100)	100	114.76	110.40	114.70	115.00	114.10	110.10	113.98	113.80

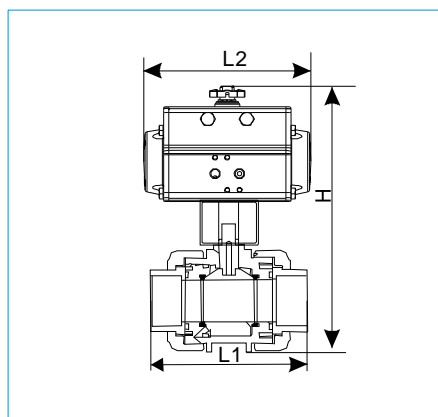
Unit: mm

口径 Size	D	L		L1		DIN	L2	L3	W	H1	H2	F	M	I	Operating Torque (Nm)
		ANSI	DIN	ANSI	DIN										
		/JIS	/CNS	/JIS	/CNS										
1/2"(15)	54	104.8	92	22.3	16	60	52	84	52.5	27.5	31	—	M6	2	
3/4"(20)	63	113	100	25.5	19	62	54	90	59	32	33	—	M6	2.5	
1"(25)	73.5	127.2	114	28.6	22	70	62	106	67.5	37.25	40	—	M6	4	
1-1/4"(32)	84.5	142	130	32	26	78	70	116	77.5	42.75	52	—	M6	5	
1-1/2"(40)	98	157.5	151	35	32	87.5	79.5	128	90	50	52	—	M6	7.5	
2"(50)	118	171	171	38	—	95	85	140	106	60	70	—	M6	8.5	
2-1/2"(65)	150	238.5	238.5	47	—	144.5	132.5	210	136.5	78.5	84	45	M10	13	
3"(80)	169	268	268	51	—	166	150	235	149.5	86	84	45	M10	16	
4"(100)	211	318	318	61	—	196	172	260	175	107	121	49	M12	25	

Art. 334系列双由令U-PVC球阀选型表

Art. 334 series product ordering matrix

334/335	D		015	G	-	HABS
系列号 series 334-Double union 335-Double flange	驱动形式 operator H-手动手柄 manual handle D-气动双动 double acting S-气动单动 spring return E-电动开关型 on/off M-电动调节型 modulating	阀体材质 body material 空白 -UPVC (blank) 2P -PP	口径 size 015-DN15 1/2" 020-DN20 3/4" 025-DN25 1" 032-DN32 1-1/4" 040-DN40 1-1/2" 050-DN50 2" 065-DN65 2-1/2" 080-DN80 3" 100-DN100 4"	连接形式 connection G-GB 国标 N-ANSI 美标 J-JIS 日标 D-DIN 德标		特别代码 special code
<p>备注：如有其他要求请详询。 Notes: If you have other requirements on request, please contact sales department.</p>						



阀体/Body: U-PVC

阀座/Seat: PTFE

连接/Connection: 由令活接/Union socket (GB, ANSI, DIN, JIS)

(可选/Optional: 螺纹/Thread、法兰/Flange)

配VALBIA气动执行器/with VALBIA pneumatic actuator

在由令端有EPDM "O"环, 配合PTFE垫座之使用, 能防止多数化学物质之腐蚀/ Use EPDM "O" ring By the end of True Union and the PTFE gasket seat can prevent Most of the chemical corrosion

Art: 334D*G - ******
口径 特别代码

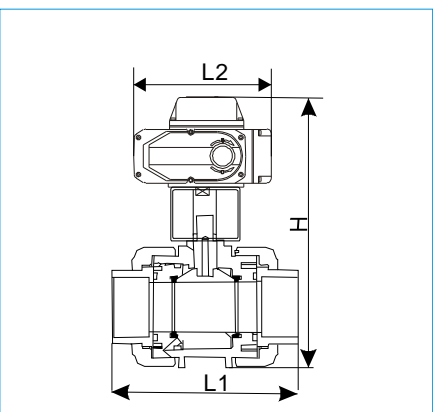
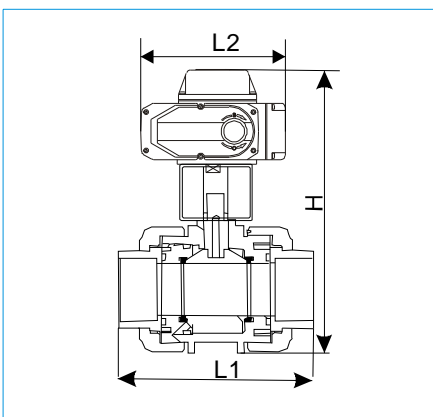
双动/Double acting

型号 CODE	334D015G -VANS	334D020G -AVNS	334D025G -VCNS	334D032G -VCNS	334D040G -VCNS	334D050G -VCNS	334D065G -VDNS	334D080G -VDNS	334D100G -VENS
DN	15	20	25	32	40	50	65	80	100
PN	10	10	10	10	10	10	10	10	10
ACT	DA32	DA32	DA52	DA52	DA52	DA52	DA63	DA63	DA75
H (mm)	185	196	246	262	282	308	386	409	473
L1 (mm)	92	100	114	130	151	171	238.5	268	318
L2 (mm)	110	110	141	141	141	141	164	164	210
参考重量(KG)	1.6	1.7	1.8	2.5	2.85	3.5	4.05	6.75	9.5
¥									

Art: 334S*G - ******
口径 特别代码

单动/Single acting

型号 CODE	334S015G -VCNS	334S020G -VCNS	334S025G -VCNS	334S032G -VDNS	334S040G -VDNS	334S050G -VENS	334S065G -VENS	334S080G -VFNS	334S100G -VHNS
DN	15	20	25	32	40	50	65	80	100
PN	10	10	10	10	10	10	10	10	10
ACT	SR52	SR52	SR52	SR63	SR63	SR75	SR75	SR85	SR100
H (mm)	221.5	232.5	246	273.5	293.5	337.5	404	441	500
L1 (mm)	92	100	114	130	151	171	238.5	268	318
L2 (mm)	141	141	141	164	164	210	210	240.5	275
参考重量(KG)	1.7	1.8	1.9	2.7	3	5.2	5.8	8.7	13
¥									



阀体/Body: U-PVC (可选/Optional: PP)

阀座/Seat: PTFE

连接/Connection: 由令活接/Union socket (GB, ANSI, DIN, JIS)
(可选/Optional: 螺纹/Thread、法兰/Flange)

配 **ADESUN** 防爆电动执行器/with **ADESUN** EX electrical actuator

防爆等级: Exd IIBT4/Explosion-proof grade:Exd IIBT4

电压/Voltage: 220VAC、24VDC、380VAC (可选/Optional: 110VAC)

在由令端有EPDM "O"环, 配合PTFE垫座之使用, 能防止多数化学物质之腐蚀/ Use EPDM "O" ring By the end of True Union and the PTFE gasket seat can prevent Most of the chemical corrosion

Art: 334E***G - ***-EX

型号 CODE	334E015G -HBAS-EX	334E020G -HBAS-EX	334E025G -HBAS-EX	334E032G -HBAS-EX	334E040G -HBAS-EX	334E050G -HBAS-EX	334E065G -HBAS-EX	334E080G -HBAS-EX	334E100G -HBAS-EX
DN	15	20	25	32	40	50	65	80	100
PN	10	10	10	10	10	10	10	10	10
H (mm)	200	211	224.75	240.25	260	286	333	355.5	402
L1 (mm)	92	100	114	130	151	171	238.5	268	318
L2 (mm)	170.5	170.5	170.5	170.5	170.5	170.5	170.5	170.5	170.5
参考重量(KG)	3.7	2.73	2.85	4.1	4.45	5.1	5.45	6.95	9.35
有源触点 / Active contact / 220VAC									
¥									
无源触点 / Dry contact / 220VAC									
型号 CODE	334E015G -HBBS-EX	334E020G -HBBS-EX	334E025G -HBBS-EX	334E032G -HBBS-EX	334E040G -HBBS-EX	334E050G -HBBS-EX	334E065G -HBBS-EX	334E080G -HBBS-EX	334E100G -HBBS-EX
¥									
24VDC									
型号 CODE	334E015G -HBGS-EX	334E020G -HBGS-EX	334E025G -HBGS-EX	334E032G -HBGS-EX	334E040G -HBGS-EX	334E050G -HBGS-EX	334E065G -HBGS-EX	334E080G -HBGS-EX	334E100G -HBGS-EX
¥									
380VAC									
型号 CODE	334E015G -HBHS	334E020G -HBHS	334E025G -HBHS	334E032G -HBHS	334E040G -HBHS	334E050G -HBHS	334E065G -HBHS	334E080G -HBHS	334E100G -HBHS
ACT	AEA-05H	AEA-05H	AEA-05H	AEA-05H	AEA-05H	AEA-05H	AEA-05H	AEA-05H	AEA-05H
H (mm)	200	211	224.75	240.25	260	286	333	355.5	402
L1 (mm)	92	100	114	130	151	171	238.5	268	318
L2 (mm)	170.5	170.5	170.5	170.5	170.5	170.5	170.5	170.5	170.5
参考重量(KG)	3.7	2.73	2.85	4.1	4.45	5.1	5.45	6.95	9.35
¥									

阀体/Body: U-PVC (可选/Optional: PP)

阀座/Seat: PTFE

连接/Connection: 由令活接/Union socket (GB, ANSI, DIN, JIS)
(可选/Optional: 螺纹/Thread、法兰/Flange)

配 **ADESUN** 防爆电动执行器/with **ADESUN** EX electrical actuator

防爆等级: Exd IIBT4/Explosion-proof grade:Exd IIBT4

电压/Voltage: 220VAC (可选/Optional: 110VAC)

在由令端有EPDM "O"环, 配合PTFE垫座之使用, 能防止多数化学物质之腐蚀/ Use EPDM "O" ring By the end of True Union and the PTFE gasket seat can prevent Most of the chemical corrosion

带4-20mA输入/输出信号/with 4-20mA input / output signal

(可选/Optional: 1-5VDC输入信号/1-5VDC input signal)

Art: 334M***G - ***

型号 CODE	334M015G -HBES-EX	334M020G -HBES-EX	334M025G -HBES-EX	334M032G -HBES-EX	334M040G -HBES-EX	334M050G -HBES-EX	334M065G -HBES-EX	334M080G -HBES-EX	334M100G -HBES-EX
DN	15	20	25	32	40	50	65	80	100
PN	10	10	10	10	10	10	10	10	10
ACT	AEA-05E	AEA-05E	AEA-05E	AEA-05E	AEA-05E	AEA-05E	AEA-05E	AEA-05E	AEA-05E
H (mm)	200	211	224.75	240.25	260	286	333	355.5	402
L1 (mm)	92	100	114	130	151	171	238.5	268	318
L2 (mm)	170.5	170.5	170.5	170.5	170.5	170.5	170.5	170.5	170.5
参考重量(KG)	3.7	2.73	2.85	4.1	4.45	5.1	5.45	6.95	9.35
¥									