

二通高压球阀  
Two way high pressure ball valve

技术参数 Technical Parameters

公称通径 Inside Nominal Diameter :DN4-DN50

公称压力 Nominal pressure: PN315~PN500

适用温度 Applicable temperature: -10°C~+150°C

阀体: 碳钢/不锈钢304 (可选)

Body: Carbon Steel/Stainless Steel (Optional)

阀杆: 45#/416SS/304 (可选)

Stem: 45#/416SS/304 (Optional)

阀座: NBR/VITON/PTFE (可选)

Seat: NBR/VITON/PTFE (Optional)

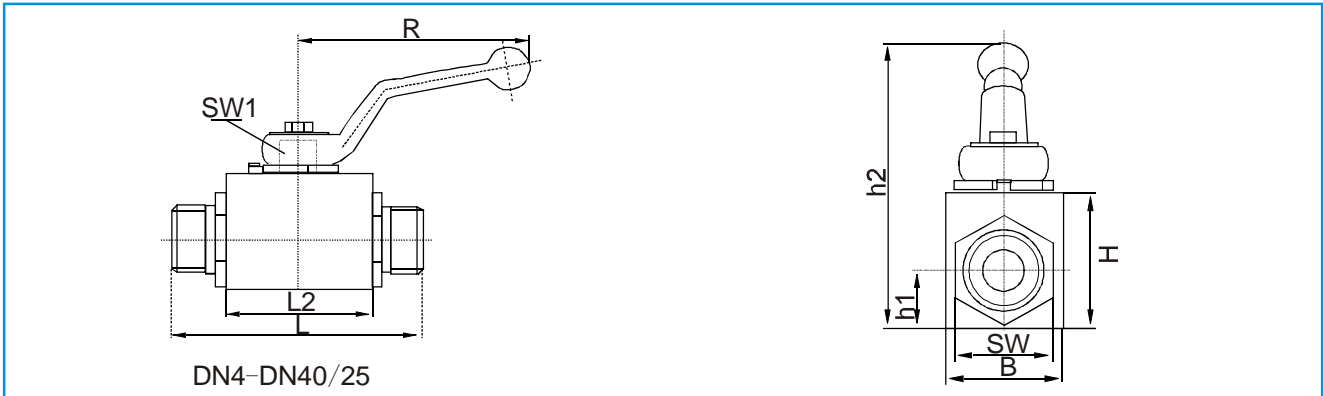
工作温度 Working Temperature: -10°C~+100°C

工作压力 Working Pressure: 3/8"PN500, 1/2"PN400,

3/4"-1"PN315, 1-1/4"-1-1/2"PN350

流体范围 : 天然气, 油, 石化和石油产品

Fluid Range: Natural Gas, Oil, Petrochemicals and Petroleum Products

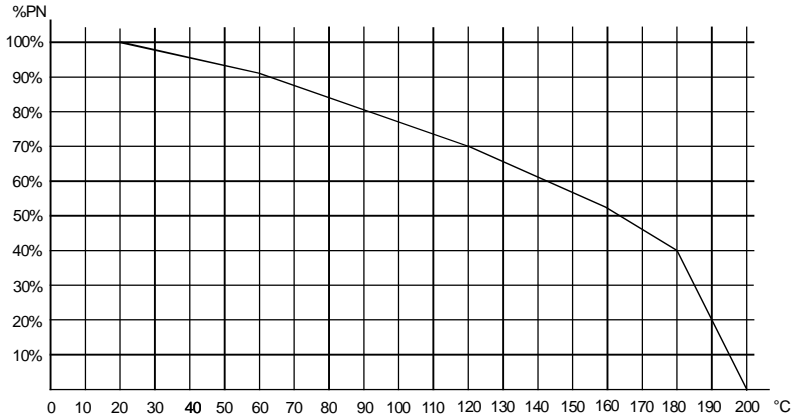


DN	连接螺纹 D THREADED-ENDS D	L	B	H	h1	PN	Price (¥)		
							(WCB)	(CF8)	(CF8M)
4	G1/8	69	20	25	10	500			
6	G1/4	69	20	25	10	500			
10	G3/8	73	30	35	14.5	500			
13	G1/2	82	35	40	17	500			
16	G5/8	88	45	45	20	400			
20	G3/4	93	45	55	24	315			
25	G1	113	55	60	26	315			
32/25	G1-1/4	134	55	60	26	315			
40/25	G1-1/2	139	55	60	26	315			

DN	连接螺纹 D THREADED-ENDS D	L	B	H	h1	PN	Price (¥)		
							(WCB)	(CF8)	(CF8M)
4	1/8-27 NPT	69	20	25	10	500			
6	1/4-18 NPT	69	20	25	10	500			
10	3/8-18 NPT	73	30	35	14.5	500			
13	1/2-14 NPT	82	35	40	17	500			
20	3/4-14 NPT	93	45	55	24	315			
25	1-11/2 NPT	113	55	60	26	315			
32/25	11/4-11/2 NPT	134	55	60	26	315			
40/25	11/2-11/2 NPT	139	55	60	26	315			

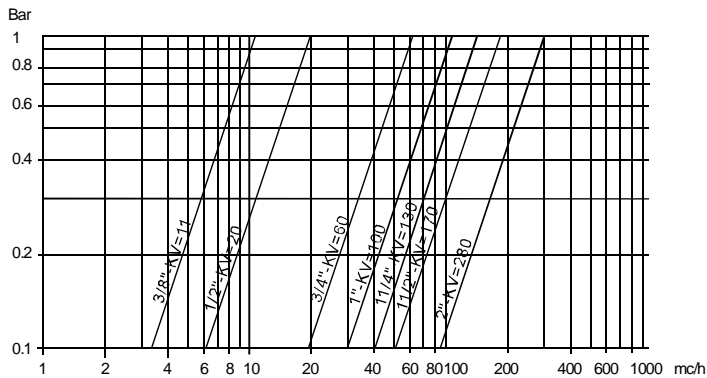
#### 压力/温度曲线

#### PRESSURE/TEMPERATURE DIAGRAM



#### 流量/压损和kv

#### FLOW/PRESSURE LOSS DIAGRAM AND KV NOMINAL COEFFICIENT



Kv值是流量系数，单位是m³/h (压差1bar 15°C的水)

Kv is the coefficient, expressed in m³/h (with water at 15°C causing a pressure loss of 1 bar.)

#### 扭矩 (不含安全系数) TORQUES (UN INCLUDING SAFETY FACTOR)

SIZE 尺寸	DN4	DN6	DN10	DN13	DN16	DN20	DN25	DN32	DN40	DN50
TORQUE 扭矩(Nm)	20	20	20	20	30	30	40	110	110	110



阀体/Body: 碳钢/WCB、1. 0619

阀座/Seat: POM-MoS2

连接/Connection: BSP thread F/F(可选/Optional: NPT、SAE、Flange)

电压/Voltage: 220VAC、24VDC、380VAC (可选/Optional: 110VAC)

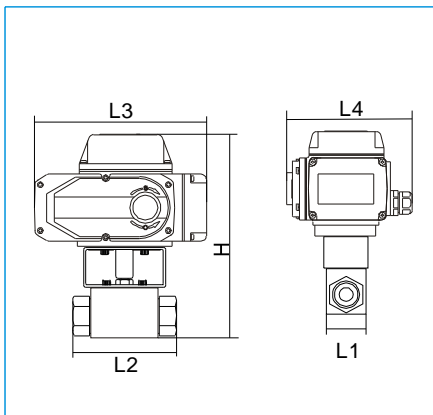
#### Art: 333EC\*\*\*G - \*\*\*\*

口径

特别代码

开关型/On-off-model

型号 CODE	333EC004G -HBAX	333EC006G -HBAX	333EC010G -HBAX	333EC013G -HBAX	333EC016G -HBAX	333EC020G -HBAX	333EC025G -HCAX	333EC032G -HDAX	333EC040G -HDAX	333EC050G -HEAX
DN	4	6	10	13	16	20	25	32	40	50
PN	500	500	500	500	400	315	315	315	315	315
ACT	AEA-05	AEA-05	AEA-05	AEA-05	AEA-05	AEA-05	AEA-10	AEA-20	AEA-20	AEA-40
H (mm)	193	193	203	208	213	223	253	320	331	348
L1 (mm)	20	20	30	35	45	55	55	75	85	105
L2 (mm)	69	69	73	82	88	93	113	120	130	140
L3 (mm)	160	160	160	160	160	160	196	255	255	255
L4 (mm)	137	137	137	137	137	137	145	182	182	182
有源触点/ Active contact										
¥										
无源触点/ Dry contact										
型号 CODE	333EC004G -HBBX	333EC006G -HBBX	333EC010G -HBBX	333EC013G -HBBX	333EC016G -HBBX	333EC020G -HBBX	333EC025G -HCBX	333EC032G -HDBX	333EC040G -HDBX	333EC050G -HEBX
¥										
24VDC										
型号 CODE	333EC004G -HBGX	333EC006G -HBGX	333EC010G -HBGX	333EC013G -HBGX	333EC016G -HBGX	333EC020G -HBGX	333EC025G -HCGX	333EC032G -HDGX	333EC040G -HDGX	333EC050G -HEGX
¥										
380VAC										
型号 CODE	333EC004G -HBHX	333EC006G -HBHX	333EC010G -HBHX	333EC013G -HBHX	333EC016G -HBHX	333EC020G -HBHX	333EC025G -HCHX	333EC032G -HDHX	333EC040G -HDHX	333EC050G -HEHX
ACT	AEA-05H	AEA-05H	AEA-05H	AEA-05H	AEA-05H	AEA-05H	AEA-10H	AEA-20H	AEA-20H	AEA-40H
H (mm)	193	193	203	208	213	223	253	320	331	348
L1 (mm)	20	20	30	35	45	55	55	75	85	105
L2 (mm)	69	69	73	82	88	93	113	120	130	140
L3 (mm)	160	160	160	160	160	160	196	255	255	255
L4 (mm)	137	137	137	137	137	137	145	182	182	182
¥										



阀体/Body: 碳钢/WCB、1. 0619

阀座/Seat: POM-MoS2

连接/Connection: BSP thread F/F(可选/Optional: NPT、SAE、Flange)

电压/Voltage: 220VAC(可选/Optional: 110VAC)

带4-20mA输入/输出信号/with 4-20mA input/output signal

(可选/Optional: 1-5VDC输入信号/1-5VDC input signal)

#### Art: 333MC\*\*\*G - \*\*\*\*

口径

特别代码

调节型/Modulating model

型号 CODE	333MC004 G-HBEX	333MC006 G-HBEX	333MC010 G-HBEX	333MC013 G-HBEX	333MC016 G-HBEX	333MC020 G-HBEX	333MC025 G-HCEX	333MC032 G-HDEX	333MC040 G-HDEX	333MC050 G-HEEX
DN	4	6	10	13	16	20	25	32	40	50
PN	500	500	500	500	400	315	315	315	315	315
ACT	AEA-05E	AEA-05E	AEA-05E	AEA-05E	AEA-05E	AEA-05E	AEA-10E	AEA-20E	AEA-20E	AEA-40E
H (mm)	193	193	203	208	213	223	253	320	331	348
L1 (mm)	20	20	30	35	45	55	55	75	85	105
L2 (mm)	69	69	72	82	88	93	113	120	130	140
L3 (mm)	160	160	160	160	160	160	196	255	255	255
L4 (mm)	137	137	137	137	137	137	145	182	182	182
¥										

