

二通高压球阀
Two way high pressure ball valve

技术参数 Technical Parameters

公称通径 Inside Nominal Diameter :DN4-DN50

公称压力 Nominal pressure: PN315~PN500

适用温度 Applicable temperature: -10°C~+150°C

阀体: 碳钢/不锈钢304 (可选)

Body: Carbon Steel/Stainless Steel (Optional)

阀杆: 45#/416SS/304 (可选)

Stem: 45#/416SS/304 (Optional)

阀座: NBR/VITON/PTFE (可选)

Seat: NBR/VITON/PTFE (Optional)

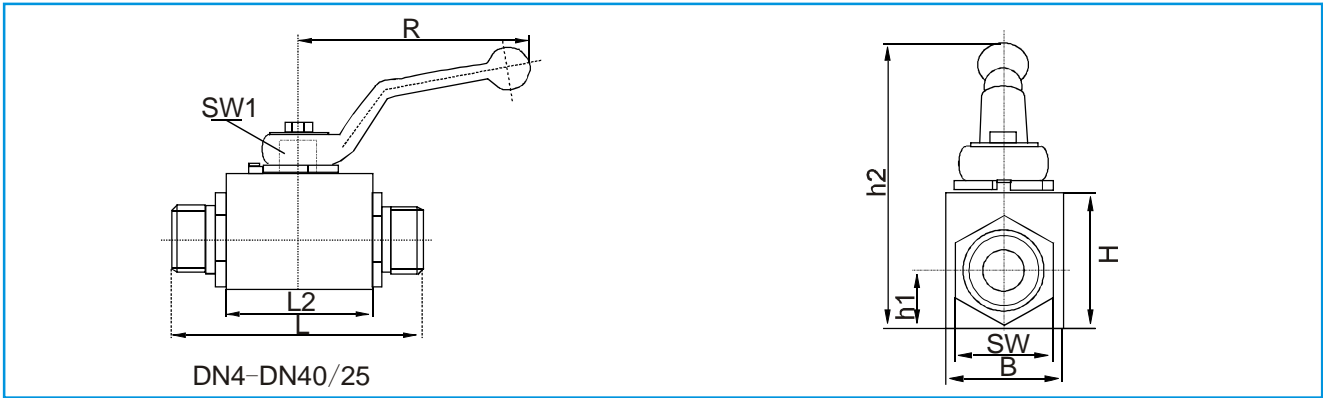
工作温度 Working Temperature: -10°C~+100°C

工作压力 Working Pressure: 3/8"PN500, 1/2"PN400,

3/4"-1"PN315, 1-1/4"-1-1/2"PN350

流体范围 : 天然气, 油, 石化和石油产品

Fluid Range: Natural Gas, Oil, Petrochemicals and Petroleum Products

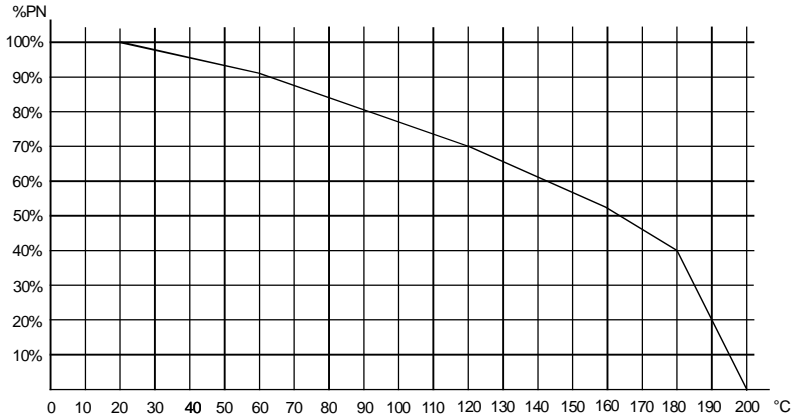


DN	连接螺纹 D THREADED-ENDS D	L	B	H	h1	PN	Price (¥)		
							(WCB)	(CF8)	(CF8M)
4	G1/8	69	20	25	10	500			
6	G1/4	69	20	25	10	500			
10	G3/8	73	30	35	14.5	500			
13	G1/2	82	35	40	17	500			
16	G5/8	88	45	45	20	400			
20	G3/4	93	45	55	24	315			
25	G1	113	55	60	26	315			
32/25	G1-1/4	134	55	60	26	315			
40/25	G1-1/2	139	55	60	26	315			

DN	连接螺纹 D THREADED-ENDS D	L	B	H	h1	PN	Price (¥)		
							(WCB)	(CF8)	(CF8M)
4	1/8-27 NPT	69	20	25	10	500			
6	1/4-18 NPT	69	20	25	10	500			
10	3/8-18 NPT	73	30	35	14.5	500			
13	1/2-14 NPT	82	35	40	17	500			
20	3/4-14 NPT	93	45	55	24	315			
25	1-11/2 NPT	113	55	60	26	315			
32/25	11/4-11/2 NPT	134	55	60	26	315			
40/25	11/2-11/2 NPT	139	55	60	26	315			

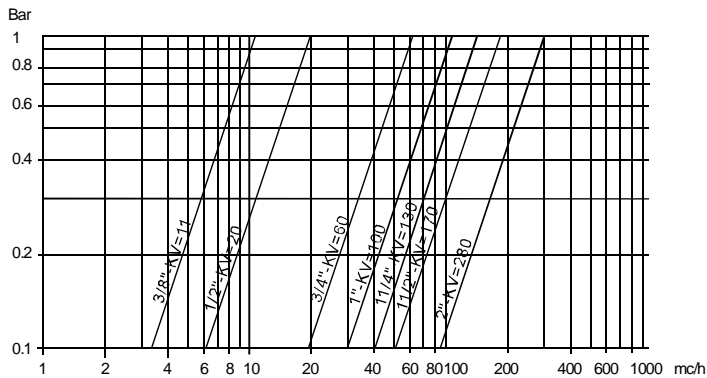
压力/温度曲线

PRESSURE/TEMPERATURE DIAGRAM



流量/压损和kv

FLOW/PRESSURE LOSS DIAGRAM AND KV NOMINAL COEFFICIENT



Kv值是流量系数，单位是m³/h (压差1bar 15°C的水)

Kv is the coefficient, expressed in m³/h (with water at 15°C causing a pressure loss of 1 bar.)

扭矩 (不含安全系数) TORQUES (UN INCLUDING SAFETY FACTOR)

SIZE 尺寸	DN4	DN6	DN10	DN13	DN16	DN20	DN25	DN32	DN40	DN50
TORQUE 扭矩(Nm)	20	20	20	20	30	30	40	110	110	110

Art.333系列不锈钢气动高压球阀



Art.333 series stainless steel pneumatic high pressure ball valve

阀体/Body: 不锈钢304/SS304、CF8 、 1. 4308

(可选/Optional: 不锈钢316/SS316、CF8M、 1.4408)

阀座/Seat: POM-MoS2

连接/Connection: BSP thread F/F(可选/Optional: NPT、 SAE、 Flange)

配 **ADESUN** 气动执行器/with **ADESUN** pneumatic actuator



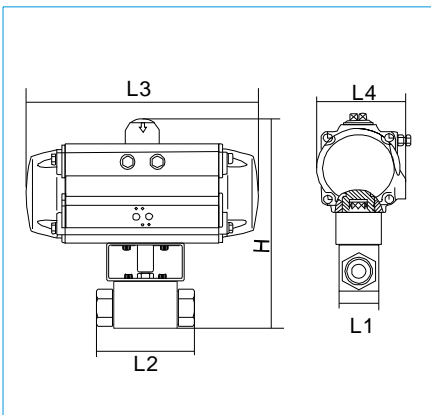
Art: 333DB***G - ***

口径

特别代码

双动/Double acting

型号 CODE	333DB004G -CDNX	333DB006G -CDNX	333DB010G -CDNX	333DB013G -CENX	333DB016G -CGNX	333DB020G -CGNX	333DB025G -CGNX	333DB032 G-CJNX	333DB040 G-CJNX	333DB050 G-CJNX
DN	4	6	10	13	16	20	25	32	40	50
PN	500	500	500	500	400	315	315	315	315	315
ACT	ACD063	ACD063	ACD063	ACD75	ACD090	ACD090	ACD090	ACD115	ACD115	ACD125
H (mm)	159	159	169	196	213	223	228	284	295	338.5
L1 (mm)	20	20	30	35	45	55	55	75	85	105
L2 (mm)	69	69	73	82	88	93	113	120	130	140
L3 (mm)	168	168	168	219	249	249	249	315	315	354
L4 (mm)	83	83	83	96	106	106	106	132.5	132.5	150
¥										



Art: 333SB***G - ***

口径

特别代码

单动/Single acting

型号 CODE	333SB004G -CENX	333SB006G -CENX	333SB010G -CENX	333SB013G -CGNX	333SB016G -CHNX	333SB020G -CHNX	333SB025G -CHNX	333SB032 G-CJNX	333SB040 G-CJNX	333SB050 G-CJNX
DN	4	6	10	13	16	20	25	32	40	50
PN	500	500	500	500	400	315	315	315	315	315
ACT	ACS075	ACS075	ACS075	ACS090	ACS100	ACS100	ACS100	ACS125	ACS125	ACS145
H (mm)	181	181	191	208	228	238	243	310.5	321.5	363
L1 (mm)	20	20	30	35	45	55	55	75	85	105
L2 (mm)	69	69	73	82	88	93	113	120	130	140
L3 (mm)	219	219	219	249	274	274	274	354	354	417
L4 (mm)	96	96	96	106	122	122	122	150	150	169.5
¥										

阀体/Body: 不锈钢304/SS304、CF8 、 1. 4308

(可选/Optional: 不锈钢316/SS316、CF8M、 1.4408)

阀座/Seat: POM-MoS2

连接/Connection: BSP thread F/F(可选/Optional: NPT、 SAE、 Flange)

配 **VALBIA** 气动执行器/with **VALBIA** pneumatic actuator



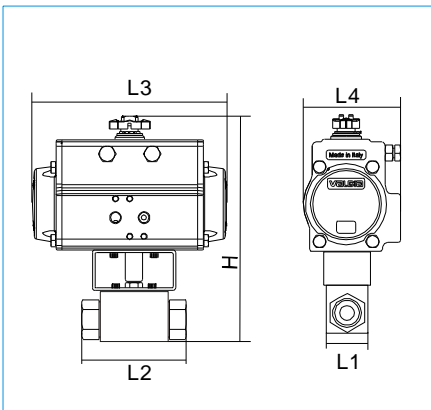
Art: 333DB***G - ***

口径

特别代码

双动/Double acting

型号 CODE	333DB004G -VCNX	333DB006G -VCNX	333DB010G -VCNX	333DB013G -VDNX	333DB016G -VENX	333DB020G -VENX	333DB025G -VENX	333DB032 G-VHJNX	333DB040 G-VHJNX	333DB050 G-VHJNX
DN	4	6	10	13	16	20	25	32	40	50
PN	500	500	500	500	400	315	315	315	315	315
ACT	DA52	DA52	DA52	DA63	DA75	DA75	DA75	DA100	DA100	DA115
H (mm)	162	162	172	188	211	221	226	282	293	344.5
L1 (mm)	20	20	30	35	45	55	55	75	85	105
L2 (mm)	69	69	73	82	88	93	113	120	130	140
L3 (mm)	141	141	141	164	210	210	210	275	275	333
L4 (mm)	71	71	71	80.5	94.5	94.5	94.5	123	123	137
¥										



Art: 333SB***G - ***

口径

特别代码

单动/Single acting

型号 CODE	333SB004G -VENX	333SB006G -VENX	333SB010G -VENX	333SB013G -VENX	333SB016G -VHJNX	333SB020G -VHJNX	333SB025G -VHJNX	333SB032 G-VHJNX	333SB040 G-VHJNX	333SB050 G-VHJNX
DN	4	6	10	13	16	20	25	32	40	50
PN	500	500	500	500	400	315	315	315	315	315
ACT	SR75	SR75	SR75	SR75	SR100	SR100	SR100	SR115	SR115	SR140
H (mm)	191	191	201	206	238	248	253	316	327	379
L1 (mm)	20	20	30	35	45	55	55	75	85	105
L2 (mm)	69	69	73	82	88	93	113	120	130	140
L3 (mm)	210	210	210	210	275	275	275	333	333	435
L4 (mm)	94.5	94.5	94.5	94.5	123	123	123	137	137	164
¥										